

Grade: 7

CCSS Domain: Ratios and Proportional Relationships

If an item's price changes from \$35 to \$28, what is the percent decrease?

- A. 27%
- B. 20%
- C. 7%

Lisa walks $\frac{2}{3}$ of the way to her house in $\frac{1}{4}$ of an hour.
How many hours does it take her to walk the entire distance to her house at the same rate?

- A. $\frac{3}{8}$
- B. $2\frac{2}{3}$
- C. $1\frac{1}{3}$

Grade: 7

CCSS Domain: The Number System

Beginning temperature = -45°
Ending temperature = 65°
Change in temperature = $___^\circ$

- A. 120
- B. 20
- C. 110

Cost of an item: \$32
Discount: \$8
The cost is shared evenly among 4 people.
Each person paid $___$.

- A. \$8
- B. \$4
- C. \$6

Grade: 7

CCSS Domain: Expressions and Equations

$$-\frac{3}{8} (4.2 - 1.7) = \underline{\quad}$$

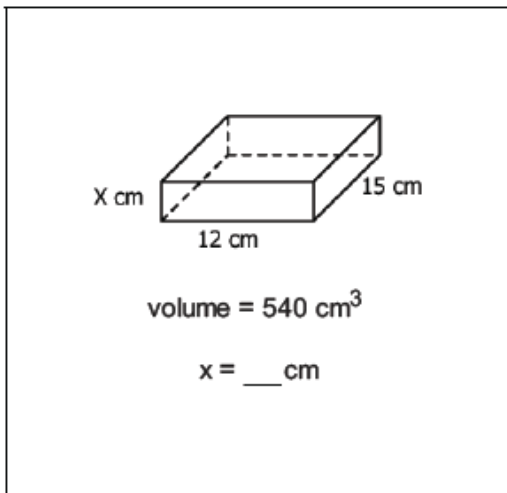
- A. -0.9375
- B. 0.9375
- C. -3.275

$$.85p = \underline{\quad}$$

- A. $.85p + p$
- B. $p + (100 - 15)$
- C. $p - 0.15p$

Grade: 7

CCSS Domain: Geometry



- A. 6
- B. 8
- C. 3

Which angles form an **isosceles** triangle?

- A. $15^\circ, 75^\circ, 90^\circ$
- B. $30^\circ, 70^\circ, 80^\circ$
- C. $45^\circ, 45^\circ, 90^\circ$

Grade: 7

CCSS Domain: Statistics and Probability

Which sampling plan would give you the most valid data for representing your entire school?

- A. Selecting 50 students from your classes to complete a survey.
- B. Asking 50 students if they would be willing to complete a survey.
- C. Randomly selecting 50 students from all ID numbers to complete a survey.

Casey: 0, 3, 8, 10, 10, 12
Alex: 2, 2, 4, 8, 12, 13
Casey and Alex took a random sample of the points they scored across six basketball games.
Which of them has a larger range?

- A. Alex
- B. Same range
- C. Casey