

Grade: 6

CCSS Domain: Ratios and Proportional Relationships

Jenny bought 7 pounds of strawberries.
 They were on sale for \$1.12 for every 2 pounds.
 How much did Jenny pay?

- A. \$15.68
- B. \$7.84
- C. \$3.92

Booth X	Booth Y	Booth Z
2 Pretzels for \$5.50	3 Pretzels for \$7.25	1 Pretzel for \$2.85

Which booth has the lowest price per pretzel?

- A. X
- B. Y
- C. Z

Grade: 6

CCSS Domain: The Number System

What is the greatest common factor of 20 and 30?

- A. 20
- B. 10
- C. 2

A

B

C

Which graph shows: -3, -8, 6

- A. A
- B. B
- C. C

Grade: 6

CCSS Domain: Expressions and Equations

$$21 = x - 7$$

$$x = \underline{\quad}$$

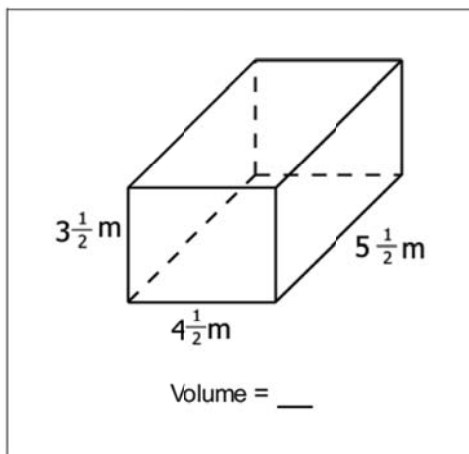
- A. 14
- B. 3
- C. 28

$$2^3$$

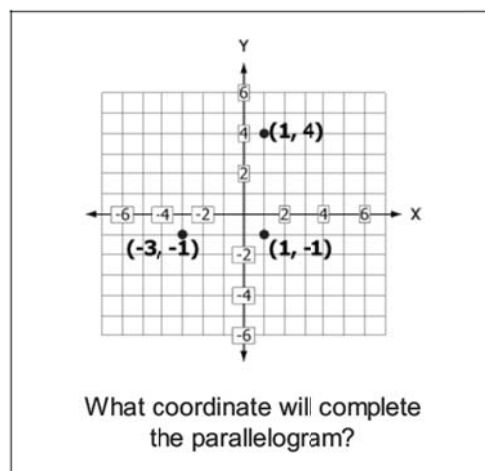
- A. 8
- B. 10
- C. 6

Grade: 6

CCSS Domain: Geometry



- A. $13\frac{1}{2} \text{ m}^3$
- B. $86\frac{5}{8} \text{ m}^3$
- C. 693 m^3



- A. (6, 1)
- B. (-3, -6)
- C. (-5, -5)

Grade: 6

CCSS Domain: Statistics and Probability



- A. 850
- B. 700
- C. 900

What is the mode?

13, 15, 15, 11, 18,
18, 11, 9, 12, 10, 18, 18

- A. 18
- B. 15
- C. 14